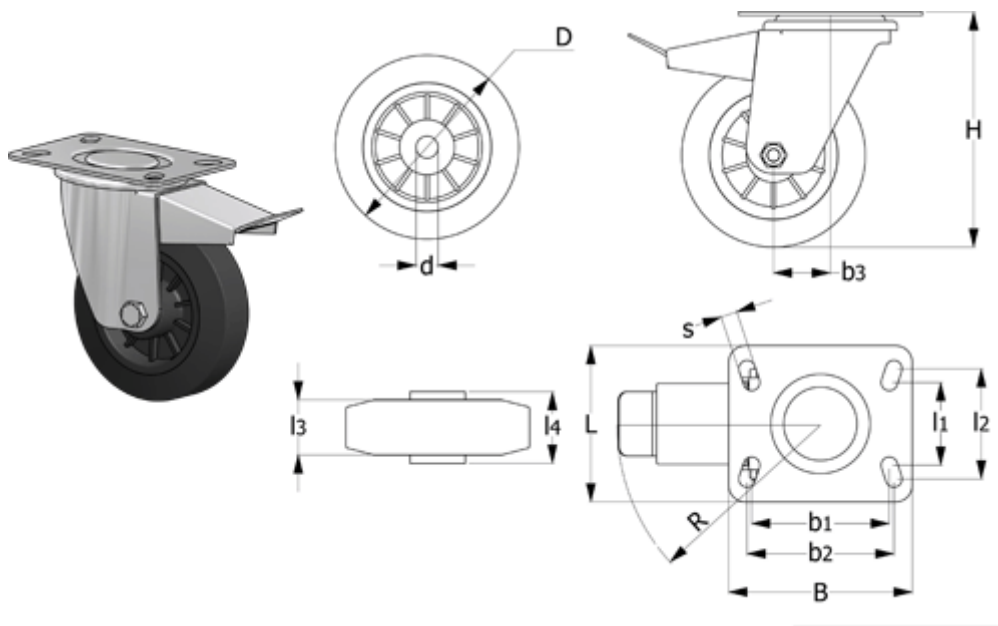


Article number: 2314449616
 Description: E+G rubber wheel 449616
 RE.E2-150-SBF turning plate w/brake

Measures



B	= 100	g = 1450	Rolling resistance (N) = 1000
b1	= 75	H = 182	s = 9
b2	= 80	L = 85	Type = RE.E2-150-SBF
b3	= 34	l1 = 45	
Code	= 449616	l2 = 60	
D	= 150	l3 = 40	
d	= 15	l4 = 44	
Dynamic load (N)	= 1300	R = 120	